

Plug-in Installation autoflot function:

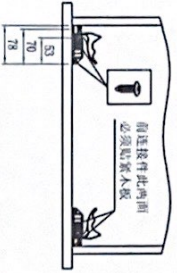
Step 1: Slide Mounting



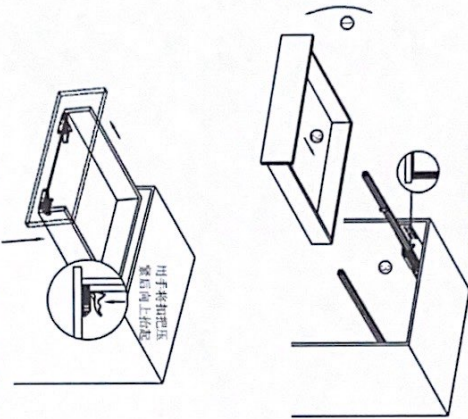
Simple push-in installation
Push the drawer horizontally onto the slide rail to complete the installation. The front link connects the drawer to the slide rail, ensuring the safety of the drawer fixed.

INSTALLATIONS

Step 2: Front Connection Installation



Step 3: Drawer Installation

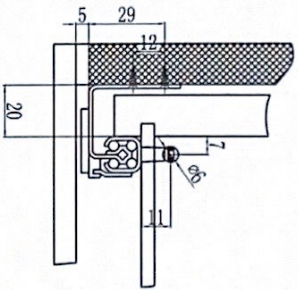
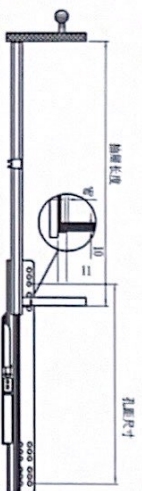
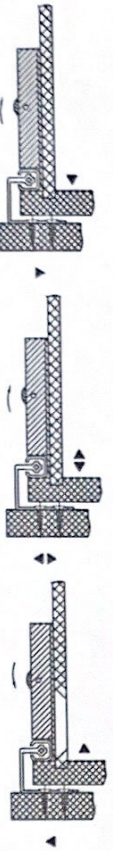


Removal:

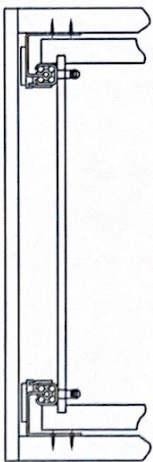
Simple demotion, just need to hand the bottom of the drawer at same time the bottom of the buckles compression, then can remove the drawer.

Front Connection with Height Adjustment Function:

The front connection with height adjustment function, it can adjust the drawer bottom and the gap between the slide rail through a white wheel to adjust the drawer 2mm height.



Item Code	Length of drawer(mm)	Mini drawer depth(mm)	Hole distance size(mm)
12" (300)	300	313	160
14" (350)	350	363	160
16" (400)	400	413	256
18" (450)	450	463	256
20" (500)	500	513	288
22" (550)	550	563	288



Function Description:

1. Load capacity: 300N
2. Perfect Height and side stability the slidable rails provide the best sliding function.
3. Slide rails automatically eliminate dirt without maintenance.
4. Self-closing function, close off gently.
5. Self-closing function, making the drawer from the weight of safety shut down.
6. Push-in Installation: As long as the drawer on the slide, push inside the installation is complete.
7. With Height adjustment, you can adjust the clearance between the rail and the bottom of the drawer by turning the white wheel.
8. No tools required to install and remove the drawer.
9. With Soft closing function.