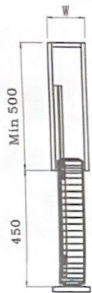


Narrow Drawer Basket instruction

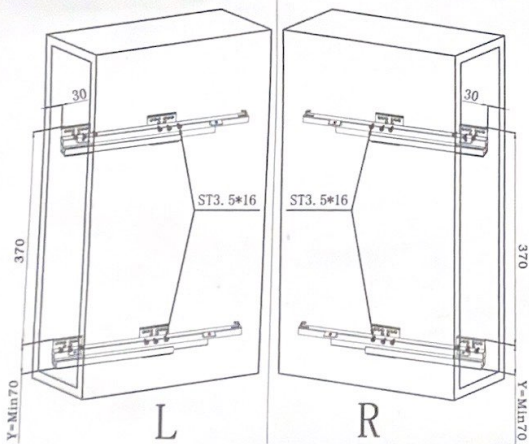
Name	T-Cabinet	Width*Depth*Height
Narrow Drawer Basket	150 mm	95*450*543
Narrow Drawer Basket	200 mm	145*450*543
Narrow Drawer Basket	250 mm	195*450*543

Description	Picture	Quantity
ST3.5*16 screw		20
M5*10 screw		4
fixing		4
slider		2 pcs

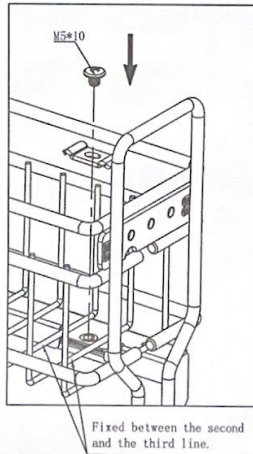
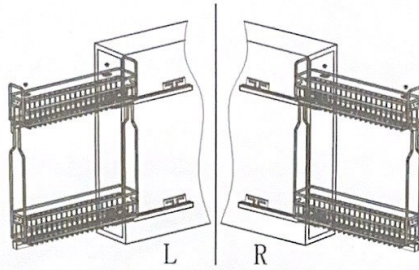


Attn: This instruction is fit for the right open, Left open is symmetry.

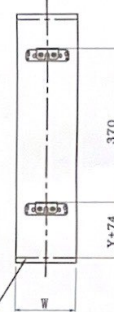
Step 1: Install the slider to the cabinet and fix it by 12pcs ST3.5\*16 screw.



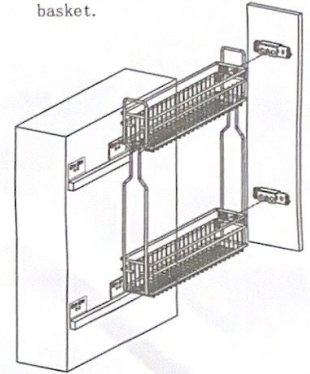
Step 2: Install the basket to the slider.



Step 3: Install the door and fixing.



Step 4: Connect the door and basket.



Step 5: Adjust the door.

Attn: loosn B before adjust A, And fix it after adjustment

