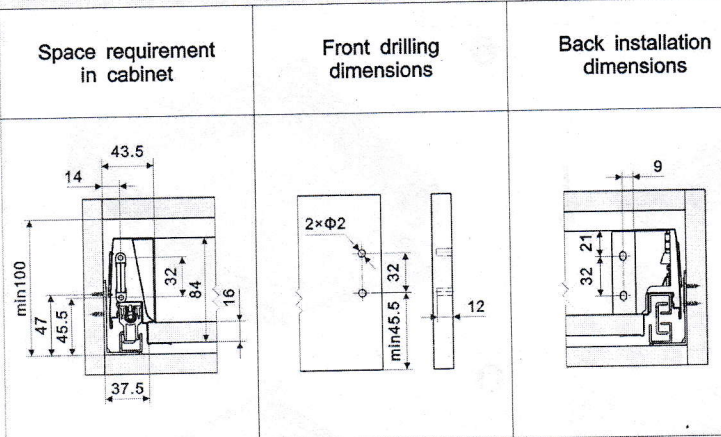


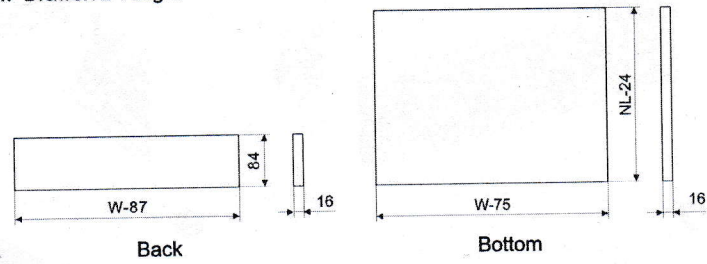
LB82A Low Drawer: L Height



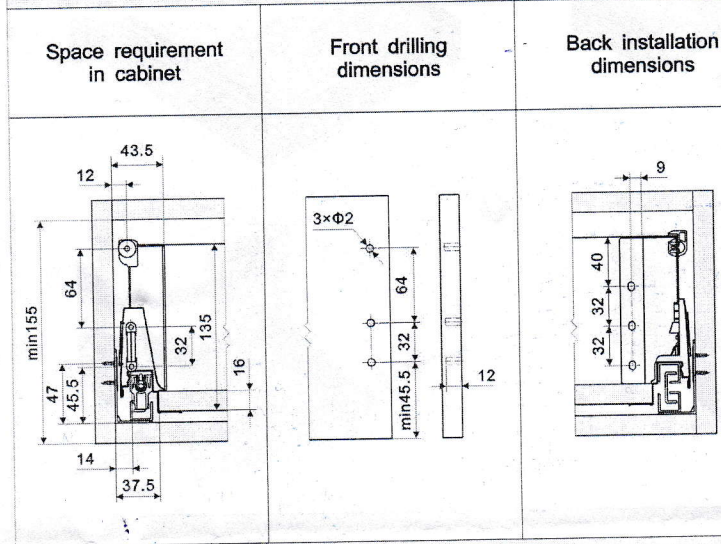
Cutting dimensions for chipboard

W=Internal cabinet Width
NL=Nominal Slide Length

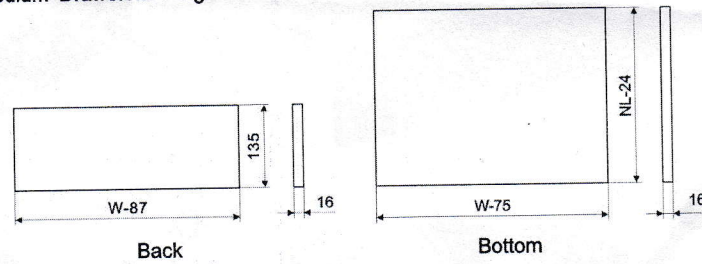
Low Drawer: L Height



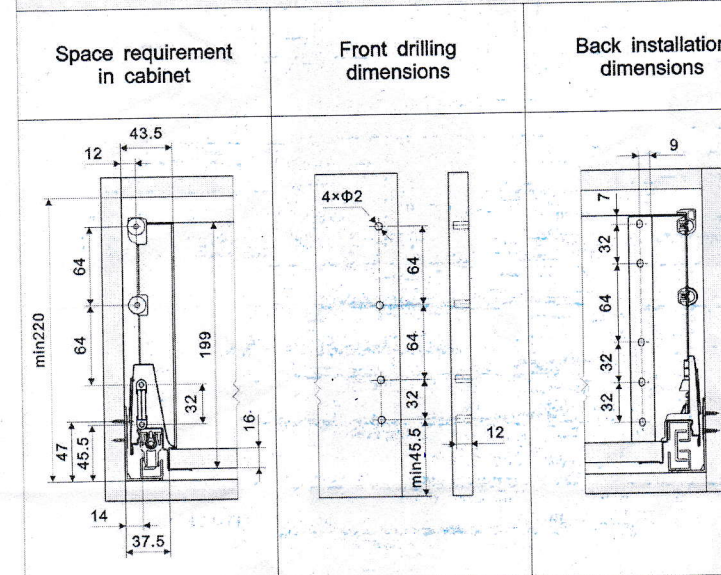
LB82A Medium Drawer: M Height



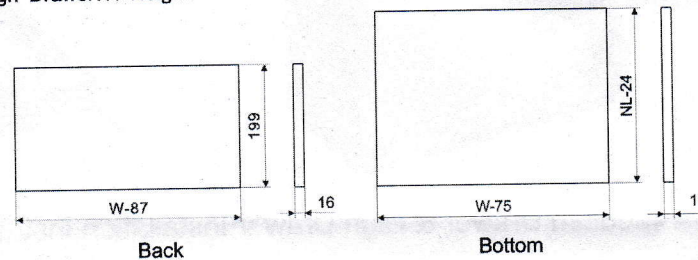
Medium Drawer: M Height



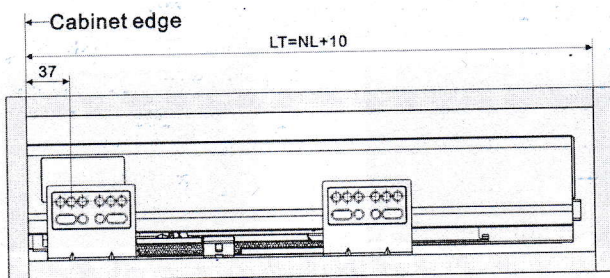
LB82A High Drawer: H Height



High Drawer: H Height



Installation dimensions



LT=Internal cabinet Depth

Screw Positions of the Slide

