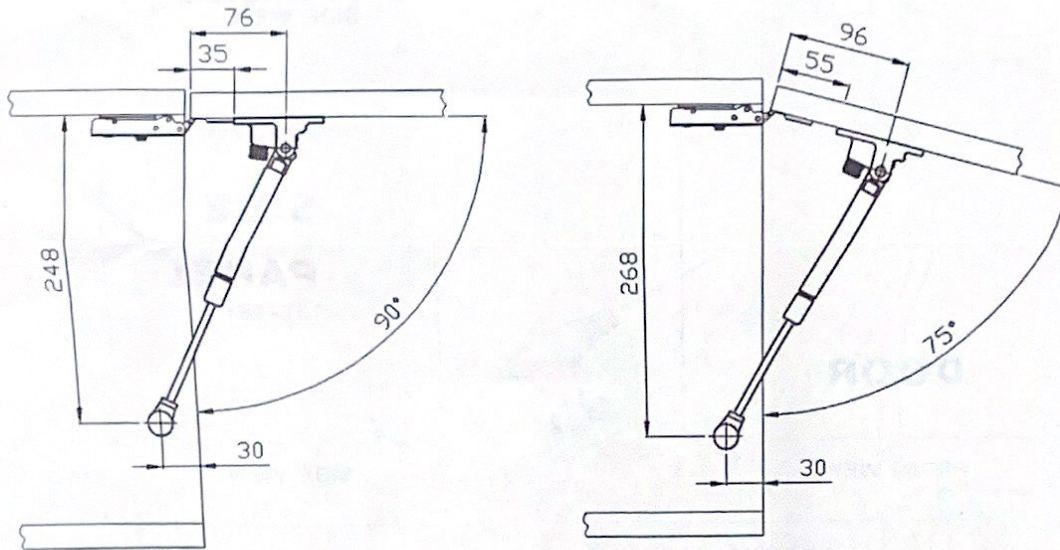


DAMPING DEVICE+GAS LIFT

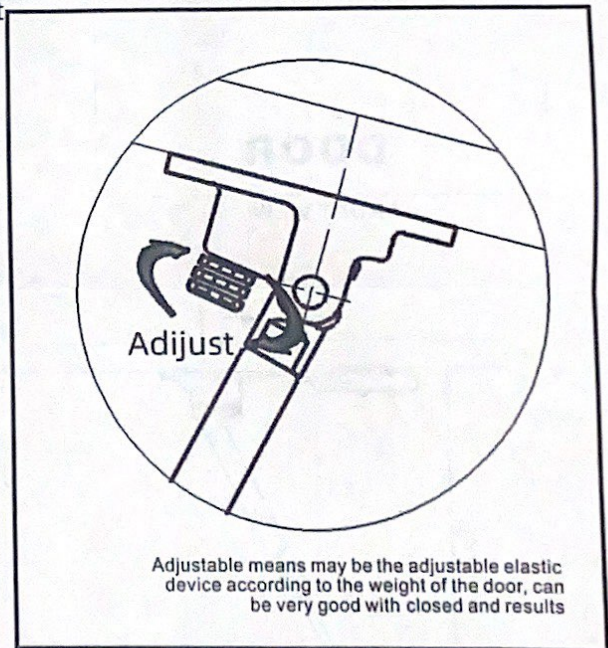
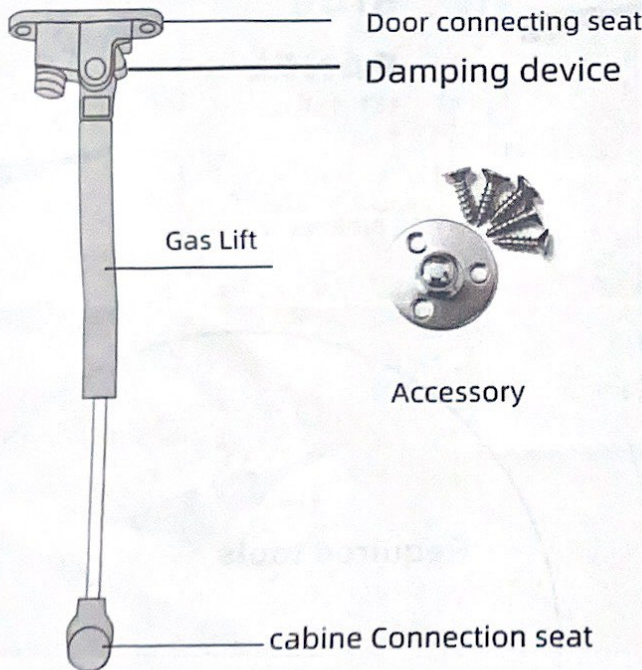
APPLICATION AND INSTALLATION INSTRUCTIONS

Patent No: 202220117554x

There is an outstanding new products, Damping device+ Gas Lift, damping Spring Body, Dedicated to the cabinet wall cabinet. A damping device installed in Gas Lift a necessary function, can be very helpful when closing Gas Lift to reach the 0 noise state, can increase the value and life of furniture. It provides the user with more convenience and comfort.



Note: recommended to use without spring normal ninge



The company owns the copyright to this product,
and has a manual content copyright,
imitation reserved!

